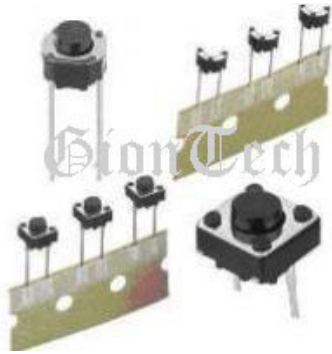


6.0mm Round/Square Tact Switch (Vertical, TH Type)



TSG-4D/4E/4F/4GT-XXX


TS - Tact Switch
 G - G Series
 4D / 4E / 4F / 4G - Type
 T - TH Type
 XXX - Action Force (gram)

SPECIFICATIONS

Mechanical Life: 300,000 cycles for 90g±50g
 200,000 cycles for 180g±50g
 100,000 cycles for 250g±50g
 Operating Force: 90g±50g, 180g±50g, 250g±50g
 Travel: 0.25±0.1mm
 Rating: 50mA 12V DC
 Dielectric Withstanding: 250V AC/minute
 Insulator Resistance: ≥ 100 MΩ at 100V
 Contact Resistance: ≤ 100 mΩ/Contact
 Operating Temperature: -30°C ~ +85°C
 Storage Temperature: -40°C ~ +85°C

Material

Base: PA66/PA6T, UL94V-0
 Contact material: Phosphor Bronze
 Contact Spring Plating: Stainless Steel/Silver Plating

Physical Picture	Outline Drawing	Circuit
 <p>TSG-4DT-XXX</p>	